

**E**

**Air Preparation Products**

# Air Preparation Products

## Air Preparation Products

### Global FRL's



- Port size: 1/4 through 3/4 inch
- Maximum supply pressure: 300 PSIG
- Operating temperature: -13°F through 150°F
- Filters, regulators, filter / regulators, lubricators and accessories

E3

### General Industrial FRL's



- Port size: 1/8 through 3 inch
- Maximum supply pressure: 250 PSIG
- Operating temperature: 32°F through 150°F
- Filters, regulators, filter / regulators, lubricators and accessories

E83

### Prep-Air II FRL's



- Compact & standard
- Port size: 1/4 through 3/4 inch
- Filters, regulators, filter / regulators, lubricators and accessories
- Operating temperature: 32°F through 175°F
- Point of use applications
- Modular construction

E44

### Stainless Steel FRL's



- Port sizes: 1/4 and 1/2 inch
- Stainless steel construction handles most corrosive environments
- Operating temperature -40°F through 180°F
- Meets NACE specifications MR-01-75/ISO 15156
- Filters, regulators, filter / regulators, and lubricators

E104

### Miniature FRL's



- Port size: 1/8 through 3/8 inch
- Filters, regulators, filter / regulators, lubricators and accessories
- Operating temperature: -4°F through 125°F
- Non-modular construction
- Ideal for point of use applications

E63

### Precision / Proportional Regulators



- Port sizes: 1/4 through 2 inch
- Maximum supply pressure: 300 PSIG
- Operating temperature: -40°F through 200°F
- High precision
- Electronic proportional

E111

### P3N FRL's



- Port size: 3/4 through 1-1/2 inch
- Filters, regulators, filter / regulators, lubricators and accessories
- Operating temperature: 32°F through 175°F
- High flow

E74

### Bulk Liquid Separators



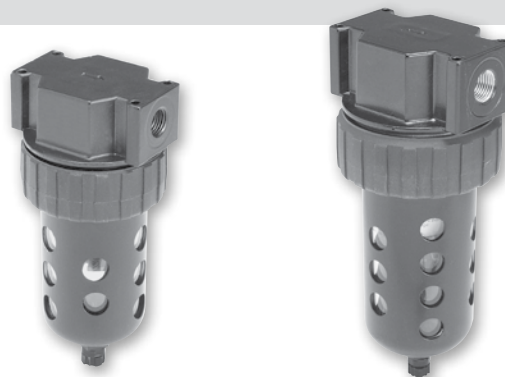
- Port sizes 1/4 through 6 inch flange
- High liquid removal efficiencies at all flow conditions
- Low maintenance
- Suitable for variable flow compressors

E122



## 06F, 07F Prep-Air II Particulate Filters

- Excellent water removal efficiency
- Unique deflector plate and shroud creates a swirling of the air stream ensuring maximum water and dirt separation
- Large filter element surface guarantees low pressure drop and increased element life
- Optional automatic float drain available
- 06F: 1/4", 3/8" & 1/2" ports (NPT & BSPP)
- 07F: 1/2" & 3/4" ports (NPT & BSPP)



06F

07F

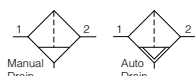
### Material specifications



Body	Zinc
Bowls	Transparent polycarbonate or Metal (zinc) with or without sight gauge
Bowl guards	Steel
Collar	Plastic (06, 07) or metal (07)
Deflector, shroud & baffle	Plastic
Drain	Plastic
Automatic float drain –	
Housing, float	Plastic
Seals	Nitrile
Springs, push rod	Stainless steel
Filter elements –	
40 Micron (standard)	Plastic
5 Micron (optional)	Plastic
Seals	Nitrile
Sight gauge	Polyamide

### Operating information

06F & 07F		
Operating pressure:	Poly bowl Metal bowl	0 to 150 PSIG (0 to 10.3 bar) 0 to 250 PSIG (0 to 17.2 bar)
Auto float drain:	Poly bowl Metal bowl	15 to 250 PSIG (1.0 to 17.2 bar)
Operating temperature:	Poly bowl Metal bowl	32°F to 125°F (0°C to 52°C) 32°F to 175°F (0°C to 80°C)

### 06F, 07F Particulate Filters

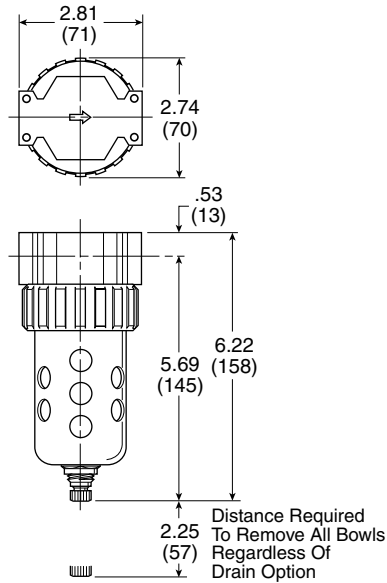


	Port size	Bowl type	Flow SCFM	Element type	Part number (NPT)	
					Twist drain	Automatic float drain
06F 	1/4"	Poly bowl / Metal guard	53	40 micron	<b>06F12AC</b>	<b>06F16AC</b>
	1/4"	Metal bowl / Sight gauge	53	40 micron	<b>06F14AC</b>	<b>06F18AC</b>
	3/8"	Poly bowl / Metal guard	80	40 micron	<b>06F22AC</b>	<b>06F26AC</b>
	3/8"	Metal bowl / Sight gauge	80	40 micron	<b>06F24AC</b>	<b>06F28AC</b>
	1/2"	Poly bowl / Metal guard	85	40 micron	<b>06F32AC</b>	<b>06F36AC</b>
	1/2"	Metal bowl / Sight gauge	85	40 micron	<b>06F34AC</b>	<b>06F38AC</b>
07F 	1/2"	Poly bowl / Metal guard	75	40 micron	<b>07F32AC</b>	<b>07F36AC</b>
	1/2"	Metal bowl / Sight gauge	75	40 micron	<b>07F34AC</b>	<b>07F38AC</b>
	3/4"	Poly bowl / Metal guard	80	40 micron	<b>07F42AC</b>	<b>07F46AC</b>
	3/4"	Metal bowl / Sight gauge	80	40 micron	<b>07F44AC</b>	<b>07F48AC</b>

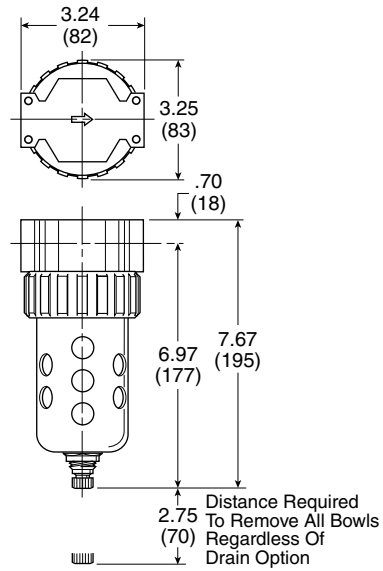
 Most popular.



**06F (Compact)**



**07F (Standard)**



**Service kits**

Description	06F (Compact)	07F (Standard)
Bowl guard kit	<b>PS705P</b>	<b>PS805P</b>
Bowl Kits –		
Poly bowl –		
Auto float drain	<b>PS722P</b>	<b>PS822P</b>
Twist drain	<b>PS732P</b>	<b>PS832P</b>
Metal bowl –		
Auto float drain	<b>PS726P</b>	<b>PS826P</b>
Twist drain	<b>PS734P</b>	<b>PS834P</b>
Sight gauge / automatic float drain	<b>PS723P</b>	<b>PS823P</b>
Sight gauge / twist drain	<b>PS735P</b>	<b>PS835P</b>
DPI replacement kit	<b>PS781P</b>	<b>PS781P</b>
Drain kits –		
Auto float drain	<b>PS506P</b>	<b>PS506P</b>
Twist drain	<b>PS512P</b>	<b>PS512P</b>
Filter element kit –		
40 micron	<b>PS701P</b>	<b>PS801P</b>
5 micron	<b>PS702P</b>	<b>PS802P</b>
Adsorber	<b>PS731P</b>	<b>PS831P</b>
Mounting bracket kit	<b>PS743P</b>	<b>PS843P</b>
Sight gauge kit	<b>PS914P</b>	<b>PS914P</b>

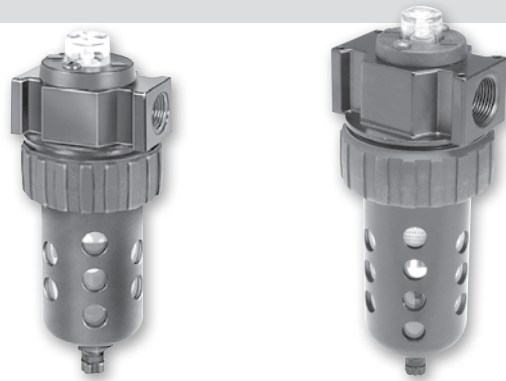
☐ Most popular.





## 11F, 12F Prep-Air II Coalescing Filters

- Removes liquid aerosols and sub-micron particles
- Liquids gravitate to the bottom of the element and will not re-enter the airstream
- Oil free air for critical applications, such as air gauging and pneumatic instrumentation and controls
- Interchangeable twist and automatic float drains
- Differential pressure indicator standard
- 11F: 1/4", 3/8" & 1/2" ports (NPT & BSPP)
- 12F: 1/2" & 3/4" ports (NPT & BSPP)



11F

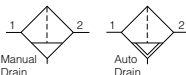
12F

### Material specifications

Body	Zinc
Bowls	Transparent polycarbonate or Metal (zinc) with or without sight gauge
Bowl guards	Steel
Collar	Plastic (06, 07) or metal (07)
Drain	Plastic
Automatic float drain –	
Housing, float	Plastic
Seals	Nitrile
Springs, push rod	Stainless steel
Filter element –	
Borosilicate & felt glass fibers 99.97% DOP efficiency	0.01 Micron
Largest Aerosol Particle Passed (Grade 6)	
Largest Solid Particle Passed (Grade 6)	0.30 Micron
Seals	Nitrile
Sight gauge	Polyamide

### Operating information

11F & 12F		
Operating pressure:	Poly bowl Metal bowl	0 to 150 PSIG (0 to 10.3 bar) 0 to 250 PSIG (0 to 17.2 bar)
Auto float drain:	Poly bowl Metal bowl	15 to 250 PSIG (1.0 to 17.2 bar)
Operating temperature:	Poly bowl Metal bowl	32°F to 125°F (0°C to 52°C) 32°F to 175°F (0°C to 80°C)



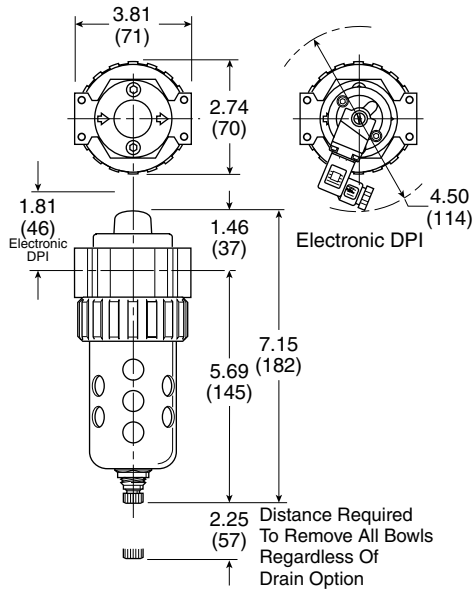
### Coalescing Filters

	Port size	Bowl type	Flow SCFM	Element type	Part number (NPT)	
					Twist drain	Automatic float drain
11F	1/4"	Poly bowl / Metal guard	45	0.01 micron	<b>11F12EC</b>	<b>11F16EC</b>
	1/4"	Metal bowl / Sight gauge	60	1.0 micron	<b>11F14HC</b>	<b>11F18HC</b>
	1/4"	Metal bowl / Sight gauge	45	0.01 micron	<b>11F14EC</b>	<b>11F18EC</b>
	1/4"	Metal bowl / Sight gauge	60	1.0 micron	<b>11F14HC</b>	<b>11F18HC</b>
	3/8"	Poly bowl / Metal guard	48	0.01 micron	<b>11F22EC</b>	<b>11F26EC</b>
	3/8"	Poly bowl / Metal guard	72	1.0 micron	<b>11F22HC</b>	<b>11F26HC</b>
	3/8"	Metal bowl / Sight gauge	48	0.01 micron	<b>11F24EC</b>	<b>11F28EC</b>
	3/8"	Metal bowl / Sight gauge	72	1.0 micron	<b>11F24HC</b>	<b>11F28HC</b>
	1/2"	Poly bowl / Metal guard	65	0.01 micron	<b>11F32EC</b>	<b>11F36EC</b>
	1/2"	Poly bowl / Metal guard	95	1.0 micron	<b>11F32HC</b>	<b>11F36HC</b>
12F	1/2"	Metal bowl / Sight gauge	65	0.01 micron	<b>11F32EC</b>	<b>11F36EC</b>
	1/2"	Metal bowl / Sight gauge	95	1.0 micron	<b>11F34HC</b>	<b>11F38HC</b>
	1/2"	Poly bowl / Metal guard	75	0.01 micron	<b>12F32EC</b>	<b>12F36EC</b>
	1/2"	Poly bowl / Metal guard	125	1.0 micron	<b>12F32HC</b>	<b>12F36HC</b>
	1/2"	Metal bowl / Sight gauge	75	0.01 micron	<b>12F34EC</b>	<b>12F38EC</b>
	1/2"	Metal bowl / Sight gauge	125	1.0 micron	<b>12F34HC</b>	<b>12F38HC</b>
	3/4"	Poly bowl / Metal guard	80	0.01 micron	<b>12F42EC</b>	<b>12F46EC</b>
	3/4"	Poly bowl / Metal guard	160	1.0 micron	<b>12F42HC</b>	<b>12F46HC</b>
	3/4"	Metal bowl / Sight gauge	80	0.01 micron	<b>12F44EC</b>	<b>12F48EC</b>
	3/4"	Metal bowl / Sight gauge	160	1.0 micron	<b>12F44HC</b>	<b>12F48HC</b>

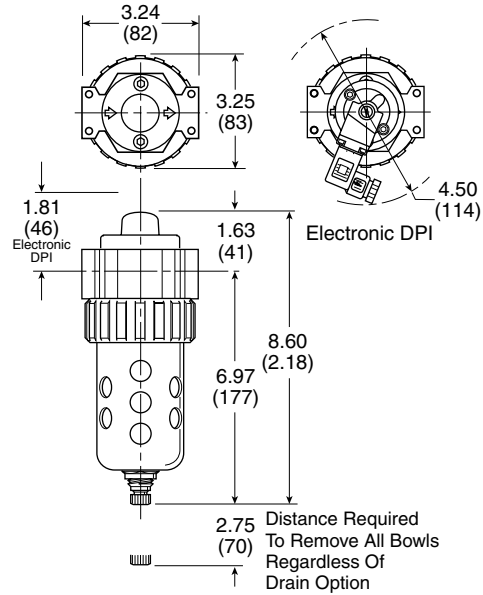
Most popular.



**11F (Compact)**



**12F (Standard)**



**Service kits**

Description	11F (Compact)	12F (Standard)
Bowl guard kit	<b>PS705P</b>	<b>PS805P</b>
Bowl Kits –		
Poly bowl –		
Auto float drain	<b>PS722P</b>	<b>PS822P</b>
Twist drain	<b>PS732P</b>	<b>PS832P</b>
Metal bowl –		
Auto float drain	<b>PS726P</b>	<b>PS826P</b>
Twist drain	<b>PS734P</b>	<b>PS834P</b>
Sight gauge / automatic float drain	<b>PS723P</b>	<b>PS823P</b>
Sight gauge / twist drain	<b>PS735P</b>	<b>PS835P</b>
DPI replacement kit	<b>PS781P</b>	<b>PS781P</b>
Drain kits –		
Auto float drain	<b>PS506P</b>	<b>PS506P</b>
Twist drain	<b>PS512P</b>	<b>PS512P</b>
Electronic DPI replacement kit	<b>PS764</b>	<b>PS764</b>
Electrical connector - 15mm, 3-pin DIN, 6 Ft. Cord	<b>PS2932JBP</b>	<b>PS2932JBP</b>
Filter element kit –		
Grade 6 (Standard)	<b>PS701P</b>	<b>PS824P</b>
Grade 10 (Optional)	<b>PS702P</b>	<b>PS830P</b>
Mounting bracket kit	<b>PS743P</b>	<b>PS843P</b>
Sight gauge kit	<b>PS914P</b>	<b>PS914P</b>

Most popular.





Air Preparation Products

Global

Prep-Air II

Miniature

P3N

General Industrial

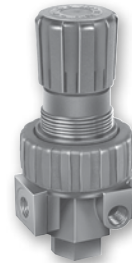
Stainless Steel

Precision / Proportional

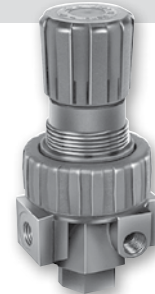
Bulk Liquid Separators

## 06R, 07R Prep-Air II Regulators

- Secondary aspiration plus balanced poppet provides quick response and accurate pressure regulation
- Rolling diaphragm for extended life
- Two high flow 1/4" gauge ports can be used as additional outlets
- Easily serviced
- Removable non-rising knob for panel mounting and tamper resistance
- 06R: 1/4", 3/8" & 1/2" ports (NPT & BSPP)
- 07R: 1/2" & 3/4" ports (NPT & BSPP)



06R



07R

### Material specifications



Adjusting Stem	Steel
Body	Zinc
Bonnet, piston stem, valve poppet & cap	Plastic
Collar, knob	Plastic
Diaphragm	Nitrile
Seals	Nitrile
Springs – Poppet Control	Stainless Steel

### Operating information

	06R (Compact), 07R (Standard)
Pressure rating:	250 PSIG (17.2 bar)
Temperature rating:	32°F to 175°F (0°C to 80°C)
Secondary pressure ranges –	
Standard pressure	2 to 125 PSIG (0 to 8.6 bar)
Medium pressure	1 to 60 PSIG (0 to 4.1 bar)
High pressure	5 to 250 PSIG (0.4 to 17.2 bar)



### Regulators

	Port size	Pressure range	Flow SCFM	Part number (NPT)	
				Without gauge	With 160 PSI gauge
06R 	1/4"	125 PSIG	53	<b>06R113AC</b>	<b>06R118AC</b>
	3/8"	125 PSIG	60	<b>06R213AC</b>	<b>06R218AC</b>
	1/2"	125 PSIG	75	<b>06R313AC</b>	<b>06R318AC</b>
07R 	1/2"	125 PSIG	90	<b>07R313AC</b>	<b>07R318AC</b>
	3/4"	125 PSIG	90	<b>07R413AC</b>	<b>07R418AC</b>



#### WARNING

Product rupture can cause serious injury.  
 Do not connect regulator to bottled gas.  
 Do not exceed maximum primary pressure rating.

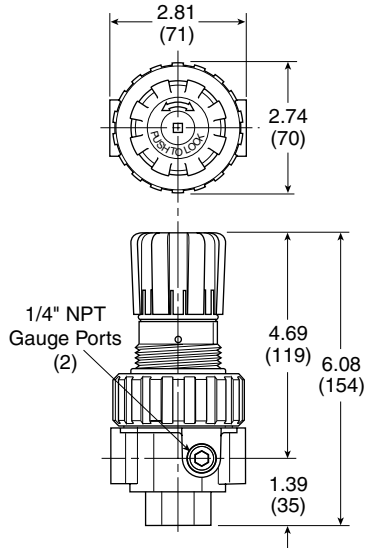
#### CAUTION: REGULATOR PRESSURE ADJUSTMENT –

The working range of knob adjustment is designed to permit outlet pressures within their full range. Pressure adjustment beyond this range is also possible because the knob is not a limiting device. This is a common characteristic of most industrial regulators, and limiting devices may be obtained only by special design. For best performance, regulated pressure should always be set by increasing the pressure up to the desired setting.

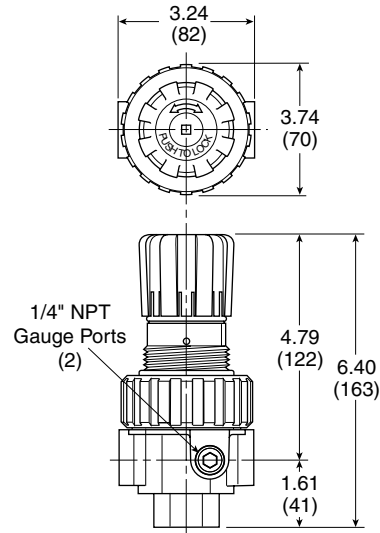
 Most popular.



**06R (Compact)**



**07R (Standard)**



**Service kits**

Description		06R (Compact)	07R (Standard)
Bonnet assembly		<b>PS715P</b>	<b>PS715P</b>
Control knob		<b>P04069B</b>	<b>P04069B</b>
Gauges –			
50mm (2") round	60 PSIG (0 to 4.1 bar)	<b>K4520N14060</b>	<b>K4520N14060</b>
1/4" center back mount	160 PSIG (0 to 11.0 bar)	<b>K4520N14160</b>	<b>K4520N14160</b>
	300 PSIG (0 to 20.0 bar)	<b>K4520N14300</b>	<b>K4520N14300</b>
44mm (1-3/4") digital round	0-160 PSIG / 0-11 bar /	<b>K4517N14160D</b>	<b>K4517N14160D</b>
1/4" center back mount	0-1.1 MPa		
Mounting bracket kit (Includes panel mount nut)		<b>PS707P</b>	<b>PS807P</b>
Panel mount nut –	Plastic	<b>P04082</b>	<b>P04079B</b>
	Metal	<b>P04082</b>	<b>P04079B</b>
Reverse Flow Service Conversion Kit – Relieving		<b>PS708RP</b>	<b>PS808RP</b>
Springs –	1-30 PSIG range	<b>P01698</b>	<b>P01698</b>
	1-60 PSIG range	<b>P04062</b>	<b>P04062</b>
	2-125 PSIG range	<b>P04063</b>	<b>P04063</b>
	5-250 PSIG range	<b>P04064</b>	<b>P04064</b>
Tamperproof kit		<b>PS737P</b>	<b>PS737P</b>

☐ Most popular.





## 11R, 12R Prep-Air II Pilot Operated Regulators

- Balanced poppet provides quick response and accurate pressure regulation
- Pilot controlled regulators can be mounted “out of reach” with pilot regulator installed in a convenient location
- Solid control piston for extended life



**11R**



**12R**

### Operating information

	11R	12R
Pressure rating:	0 to 250 PSIG (0 to 17.2 bar)	0 to 250 PSIG (0 to 17.2 bar)
Temperature rating:	32°F to 175°F (0°C to 80°C)	32°F to 175°F (0°C to 80°C)
Flow capacity SCFM:	1/4": 85 3/8": 95 1/2": 95	1/2": 140 3/4": 140

### 11R, 12R Pilot Controlled Regulators



Port size	Gauge	Part number (NPT), relieving	
		11R	12R
1/4"	No	<b>11R115PC</b>	
3/8"	No	<b>11R215PC</b>	
1/2"	No	<b>11R315PC</b>	<b>12R315PB</b>
3/4"	No		<b>12R415PB</b>
1/4"	160 PSI	<b>11R121PC</b>	
3/8"	160 PSI	<b>11R221PC</b>	
1/2"	160 PSI	<b>11R321PC</b>	<b>12R321PB</b>
3/4"	160 PSI		<b>12R421PB</b>

### Material specifications

	11R	12R
Body	Zinc	Zinc
Bottom plug	-	-
Innervalve	-	-
Pilot cap	Zinc	Zinc
Piston & poppet	Plastic	Plastic
Seals	Nitrile	Nitrile
Springs – poppet	Steel	Steel

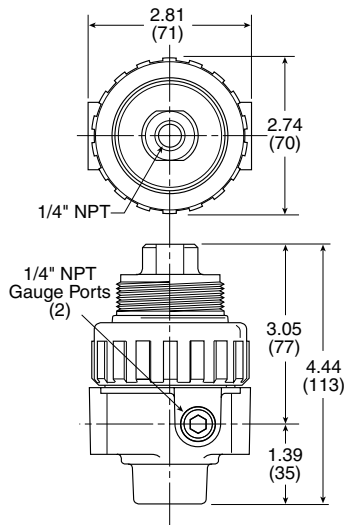
**⚠ WARNING**  
 Product rupture can cause serious injury.  
 Do not connect regulator to bottled gas.  
 Do not exceed maximum primary pressure rating.

### CAUTION: REGULATOR PRESSURE ADJUSTMENT –

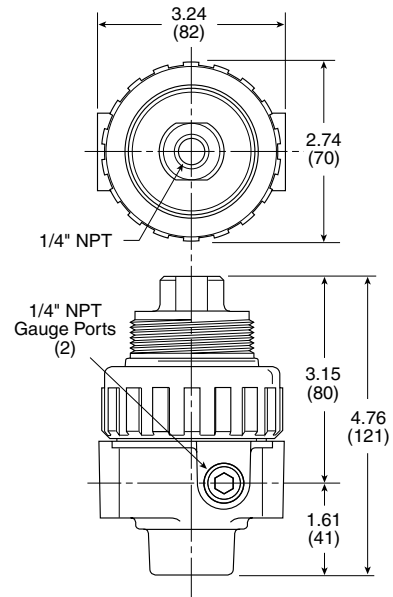
The working range of knob adjustment is designed to permit outlet pressures within their full range. Pressure adjustment beyond this range is also possible because the knob is not a limiting device. This is a common characteristic of most industrial regulators, and limiting devices may be obtained only by special design. For best performance, regulated pressure should always be set by increasing the pressure up to the desired setting.

Most popular.

**11R**



**12R**



**Service kits**

		11R	12R
Body service kit		<b>PS713P</b>	<b>PS813P</b>
Gauges –	50mm (2") round 1/4" center back mount	60 PSIG (0 to 4.1 bar)	<b>K4520N14060</b>
		160 PSIG (0 to 11.0 bar)	<b>K4520N14160</b>
		300 PSIG (0 to 20.0 bar)	<b>K4520N14300</b>
	44mm (1-3/4") digital round 1/4" center back mount	0-160 PSIG / 0-11 bar / 0-1.1 MPa	<b>K4517N14160D</b>
Mounting bracket kit		<b>PS707P</b>	<b>PS807P</b>
Panel mount nut –		Metal	<b>P04079B</b>
		Plastic	<b>P04082</b>
Pilot conversion kit		<b>PS745P</b>	<b>PS745P</b>
Repair kits –		Non-relieving	<b>PS747P</b>
		Relieving	<b>PS749P</b>



Air Preparation Products

Global

Prep-Air II

Miniature

P3N

General Industrial

Stainless Steel

Precision / Proportional

Bulk Liquid Separators



Air Preparation Products

Global

Prep-Air II

Miniature

P3N

General Industrial

Stainless Steel

Precision / Proportional

Bulk Liquid Separators

## 06E Prep-Air II Filter / Regulators

- Space saving package offers both filter and regulator features for optimal performance
- Excellent water removal efficiency
- Rolling diaphragm for extended life
- Quick response, and accurate pressure regulation regardless of changing flow or inlet pressure
- Two high flow 1/4" gauge ports can be used as additional outlets



### Material specifications

Adjusting stem		Steel	
Body		Zinc	
Bonnet, internal parts		Plastic	
Bowls	Transparent	Polycarbonate	
	Metal	Zinc	
Bowl guard		Steel	
Collar		Plastic	
Diaphragm		Nitrile	
Drains	Manual twist drain standard	Body & nut	Plastic
		Automatic float drain optional	Float housing
		Seals	Nitrile
		Springs, push rod	Stainless steel
Filter elements		40 Micron (standard)	Plastic
		5 Micron (optional)	Plastic
Knob		Plastic	
Seals		Nitrile	
Sight gauge		Polyamide	
Springs -	Poppet	Stainless	
	Control	Steel	

### Operating information

Pressure rating -	
Polycarbonate bowl	0 to 150 PSIG (0 to 10.4 bar)
Metal bowl	0 to 250 PSIG (0 to 17.2 bar)
Automatic float drain	15 to 250 PSIG (1.0 to 17.2 bar)
Temperature rating -	
Polycarbonate bowl	32°F to 125°F (0°C to 52°C)
Metal bowl	32°F to 175°F (0°C to 80°C)
Secondary pressure ranges -	
Standard pressure	2 to 125 PSIG (0 to 8.6 bar)
Medium pressure	1 to 60 PSIG (0 to 4.1 bar)
High pressure	5 to 250 PSIG (0.4 to 17.2 bar)

### 06E Compact Filter / Regulators



	Port size	Bowl type	Drain type	Flow SCFM	Element type	Part number (NPT)	
						Pressure range (Without gauge)	
						60 PSIG	125 PSIG
06E	1/4"	Poly / Metal guard	Twist	46	40 micron	<b>06E12A11AC</b>	<b>06E12A13AC</b>
	1/4"	Poly / Metal guard	Auto float	46	40 micron	<b>06E16A11AC</b>	<b>06E16A13AC</b>
	3/8"	Poly / Metal guard	Twist	55	40 micron	<b>06E22A11AC</b>	<b>06E22A13AC</b>
	3/8"	Poly / Metal guard	Auto float	55	40 micron	<b>06E26A11AC</b>	<b>06E26A13AC</b>
	1/2"	Poly / Metal guard	Twist	61	40 micron	<b>06E32A11AC</b>	<b>06E32A13AC</b>
	1/2"	Poly / Metal guard	Auto float	61	40 micron	<b>06E36A11AC</b>	<b>06E36A13AC</b>
	1/4"	Metal / Sight gauge	Twist	46	40 micron	<b>06E14A11AC</b>	<b>06E14A13AC</b>
	1/4"	Metal / Sight gauge	Auto float	46	40 micron	<b>06E18A11AC</b>	<b>06E18A13AC</b>
	3/8"	Metal / Sight gauge	Twist	55	40 micron	<b>06E24A11AC</b>	<b>06E24A13AC</b>
	3/8"	Metal / Sight gauge	Auto float	55	40 micron	<b>06E28A11AC</b>	<b>06E28A13AC</b>
	1/2"	Metal / Sight gauge	Twist	61	40 micron	<b>06E34A11AC</b>	<b>06E34A13AC</b>
	1/2"	Metal / Sight gauge	Auto float	61	40 micron	<b>06E38A11AC</b>	<b>06E38A13AC</b>



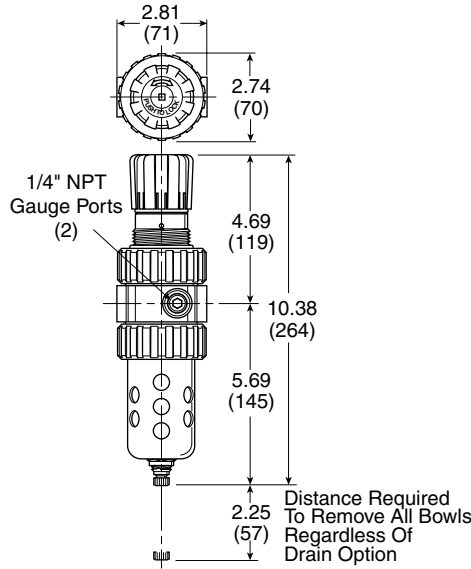
**WARNING**  
 Product rupture can cause serious injury.  
 Do not connect regulator to bottled gas.  
 Do not exceed maximum primary pressure rating.

**CAUTION:**  
**REGULATOR PRESSURE ADJUSTMENT -**  
 The working range of knob adjustment is designed to permit outlet pressures within their full range. Pressure adjustment beyond this range is also possible because the knob is not a limiting device. This is a common characteristic of most industrial regulators, and limiting devices may be obtained only by special design. For best performance, regulated pressure should always be set by increasing the pressure up to the desired setting.

Most popular.



06E



**Service kits**

Description	06E
Bonnet assembly kit	<b>PS715P</b>
Bowl guard kit	<b>PS705P</b>
Bowl kits	
Poly bowl –	Automatic float drain
	Twist drain
Metal bowl –	Automatic float drain
	Semi-auto drain
	Twist drain
	Sight gauge / Automatic drain
	Sight gauge / Twist drain
Control knob	<b>P04069B</b>
Drain kits –	Automatic float drain
	Twist drain
Filter element kits –	40 Micron
	5 Micron
	Adsorber
Gauges –	60 PSIG (0 to 4.1 bar)
50mm (2") round	160 PSIG (0 to 11.0 bar)
1/4" center back mount	300 PSIG (0 to 20.0 bar)
44mm (1-3/4") digital round	0-160 PSIG / 0-11 bar / 0-1.1 MPa
1/4" center back mount	
Mounting bracket kit (includes panel mount nut)	<b>PS707P</b>
Panel mount nut	<b>P04082</b>
Service kits –	Non-relieving (includes poppet)
	Relieving (includes poppet)
Seat insert kit	<b>PS713P</b>
Springs –	1- 30 PSIG range
	1- 60 PSIG range
	2- 125 PSIG range
	5- 250 PSIG range
Tamperproof kit (key lock)	<b>PS737P</b>

Most popular.



Air Preparation Products

Global

Prep-Air II

Miniature

P3N

General Industrial

Stainless Steel

Precision / Proportional

Bulk Liquid Separators



Air Preparation Products

Global

Prep-Air II

Miniature

P3N

General Industrial

Stainless Steel

Precision / Proportional

Bulk Liquid Separators

## 07E Prep-Air II Filter / Regulators

- Space saving package offers both filter and regulator features for optimal performance
- Excellent water removal efficiency
- Rolling diaphragm for extended life
- Quick response, and accurate pressure regulation regardless of changing flow or inlet pressure
- Two high flow 1/4" gauge ports can be used as additional outlets



### Material specifications


Adjusting stem		Steel	
Body		Zinc	
Bonnet, internal parts		Plastic	
Bowls	Transparent	Polycarbonate	
	Metal	Zinc	
Bowl guard		Steel	
Collar		Plastic or metal	
Diaphragm		Nitrile	
Drains	Manual twist drain standard	Body & nut	Plastic
		Float housing	Plastic
	Automatic float drain optional	Seals	Nitrile
		Springs, push rod	Stainless steel
Filter elements	40 Micron (standard)	Plastic	
	5 Micron (optional)	Plastic	
Knob		Plastic	
Seals		Nitrile	
Sight gauge		Polyamide	
Springs -	Poppet	Stainless	
	Control	Steel	

### Operating information

Pressure rating -	
Polycarbonate bowl	0 to 150 PSIG (0 to 10.4 bar)
Metal bowl	0 to 250 PSIG (0 to 17.2 bar)
Automatic float drain	15 to 250 PSIG (1.0 to 17.2 bar)
Temperature rating -	
Polycarbonate bowl	32°F to 125°F (0°C to 52°C)
Metal bowl	32°F to 175°F (0°C to 80°C)
Secondary pressure ranges -	
Standard pressure	2 to 125 PSIG (0 to 8.6 bar)
Medium pressure	1 to 60 PSIG (0 to 4.1 bar)
High pressure	5 to 250 PSIG (0.4 to 17.2 bar)

## 07E Standard Filter / Regulators



	Port size	Bowl type	Drain type	Flow SCFM	Element type	Part number (NPT)	
						Pressure range (Without gauge)	
						60 PSIG	125 PSIG
07E 	1/2"	Poly / Metal guard	Twist	90	40 micron	<b>07E32A11AC</b>	<b>07E32A13AC</b>
	1/2"	Poly / Metal guard	Auto float	90	40 micron	<b>07E36A11AC</b>	<b>07E36A13AC</b>
	3/4"	Poly / Metal guard	Twist	90	40 micron	<b>07E42A11AC</b>	<b>07E42A13AC</b>
Precision / Proportional	3/4"	Poly / Metal guard	Auto float	90	40 micron	<b>07E46A11AC</b>	<b>07E46A13AC</b>
	1/2"	Metal / Sight gauge	Twist	90	40 micron	<b>07E34A11AC</b>	<b>07E34A13AC</b>
	1/2"	Metal / Sight gauge	Auto float	90	40 micron	<b>07E38A11AC</b>	<b>07E38A13AC</b>
Bulk Liquid Separators	3/4"	Metal / Sight gauge	Twist	90	40 micron	<b>07E44A11AC</b>	<b>07E44A13AC</b>
	3/4"	Metal / Sight gauge	Auto float	90	40 micron	<b>07E48A11AC</b>	<b>07E48A13AC</b>

#### WARNING

Product rupture can cause serious injury.  
 Do not connect regulator to bottled gas.  
 Do not exceed maximum primary pressure rating.

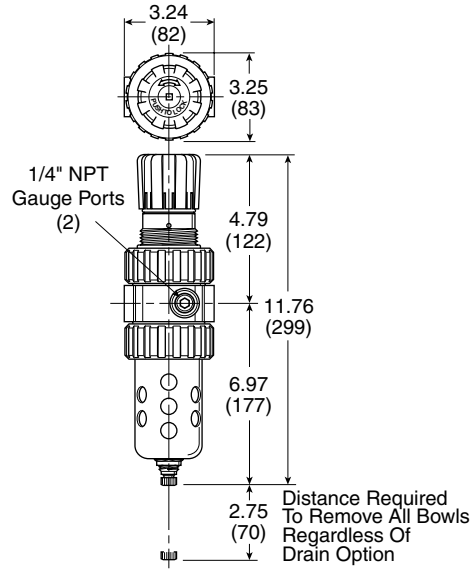
#### CAUTION: REGULATOR PRESSURE ADJUSTMENT -

The working range of knob adjustment is designed to permit outlet pressures within their full range. Pressure adjustment beyond this range is also possible because the knob is not a limiting device. This is a common characteristic of most industrial regulators, and limiting devices may be obtained only by special design. For best performance, regulated pressure should always be set by increasing the pressure up to the desired setting.

 Most popular.



**07E**



**Service kits**

Description	07E
Bonnet assembly kit	<b>PS715P</b>
Bowl guard kit	<b>PS805P</b>
Bowl kits – Poly bowl –	Automatic float drain <b>PS822P</b> Twist drain <b>PS832P</b>
Metal bowl –	Automatic float drain <b>PS826P</b> Semi-auto drain <b>PS894P</b> Twist drain <b>PS834P</b> Sight gauge / Automatic drain <b>PS823P</b> Sight gauge / Twist drain <b>PS835P</b>
Control knob	<b>P04069B</b>
Drain kits –	Automatic float drain <b>PS506P</b> Twist drain <b>PS512P</b>
Filter element kits –	40 Micron <b>PS801P</b> 5 Micron <b>PS802P</b> Adsorber <b>PS831P</b>
Gauges –	60 PSIG (0 to 4.1 bar) <b>K4520N14060</b> 50mm (2") round 1/4" center back mount 160 PSIG (0 to 11.0 bar) <b>K4520N14160</b> 300 PSIG (0 to 20.0 bar) <b>K4520N14300</b>
	44mm (1-3/4") digital round 1/4" center back mount 0-160 PSIG / 0-11 bar / 0-1.1 MPa <b>K4517N14160D</b>
Mounting bracket kit (includes panel mount nut)	<b>PS807P</b>
Panel mount nut	<b>P04082</b>
Service kits –	Non-relieving (includes poppet) <b>PS811P</b> Relieving (includes poppet) <b>PS810P</b>
Seat insert kit	<b>PS813P</b>
Springs –	1- 30 PSIG range <b>P01698</b> 1- 60 PSIG range <b>P04062</b> 2- 125 PSIG range <b>P04063</b> 5- 250 PSIG range <b>P04064</b>
Tamperproof kit (key lock)	<b>PS737P</b>

Most popular.



Air Preparation Products

Global

Prep-Air II

Miniature

P3N

General Industrial

Stainless Steel

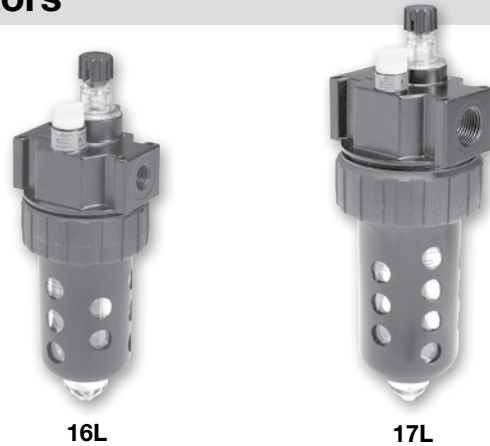
Precision / Proportional

Bulk Liquid Separators



## 16L, 17L Prep-Air II Micro-Mist Lubricators

- Proportional oil delivery over a wide range of air flows
- Generates oil particles of 5 micron or smaller downstream to lubricate systems having complex piping arrangements
- Precision needle valve assures repeatable oil delivery and provides simple adjustment of delivery rate
- Ideal for low and high flow applications with changing air flow
- Transparent sight dome for 360° visibility
- Yellow fill cap identifies Micro-Mist Lubricator
- 16L: 1/4", 3/8" & 1/2" ports (NPT & BSPP)
- 17L: 1/2" & 3/4" ports (NPT & BSPP)



### Material specifications

Body	Zinc
Bowls –	
Transparent	Polycarbonate
Metal	Zinc
Bowl guards	Steel
Collar	Plastic (16, 17) or metal (17)
Drains, twist / body & nut	Plastic
Injector meter block & base assembly	Plastic
Seals	Nitrile
Sight dome	Polycarbonate
Sight gauge	Polyamide (Nylon)

### Operating information

Pressure rating –  
 Polycarbonate bowl 0 to 150 PSIG (0 to 10.4 bar)  
 Metal bowl 0 to 250 PSIG (0 to 17.2 bar)



Temperature rating –  
 Polycarbonate bowl 32°F to 125°F (0°C to 52°C)  
 Metal bowl 32°F to 175°F (0°C to 80°C)

Minimum flow for lubrication: 1 SCFM at 100 PSIG

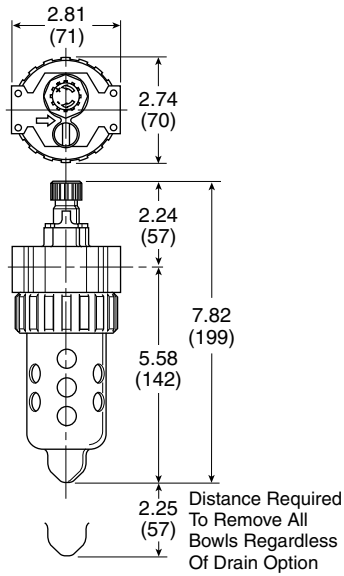
Suggested lubricant: F442 oil  
 Petroleum based oil of 100 to 200 SSU viscosity at 100°F (38°C) and an aniline point greater than 200°F (93°C)  
 (DO NOT USE OILS WITH ADDITIVES, COMPOUNDED OILS CONTAINING SOLVENTS, GRAPHITE, DETERGENTS, OR SYNTHETIC OILS.)

### Compact & Standard Lubricators

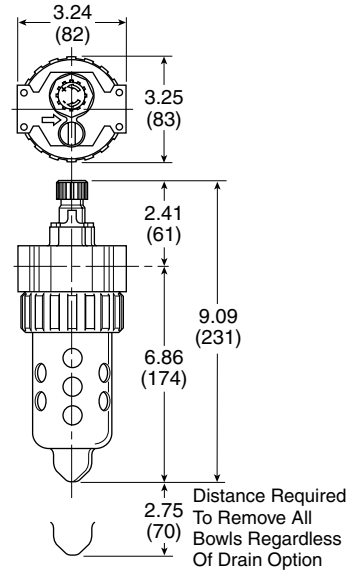


	Port size	Bowl type	Flow SCFM	Part number (NPT)	
				Twist drain	No drain
	1/4"	Poly / Metal guard	40		<b>16L12BE</b>
	1/4"	Metal / Sight gauge	40	<b>16L14BE</b>	
	3/8"	Poly / Metal guard	60		<b>16L22BE</b>
	3/8"	Metal / Sight gauge	60	<b>16L24BE</b>	
	1/2"	Poly / Metal guard	90		<b>16L32BE</b>
	1/2"	Metal / Sight gauge	90	<b>16L34BE</b>	
	1/2"	Poly / Metal guard	90		<b>17L32BE</b>
	1/2"	Metal / Sight gauge	90	<b>17L34BE</b>	
	3/4"	Poly / Metal guard	90		<b>17L42BE</b>
	3/4"	Metal / Sight gauge	90	<b>17L44BE</b>	

**16L**



**17L**



**Service kits**

Description	16L (Compact)	17L (Standard)	
Adjustment knob	<b>P04121</b>	<b>P04121</b>	
Bowl guard kit	<b>PS705P</b>	<b>PS805P</b>	
Bowl Kits:	Poly bowl – No drain	<b>PS746P</b>	<b>PS846P</b>
	Twist drain	<b>PS717P</b>	<b>PS817P</b>
	Pressure fill	<b>PS719P</b>	<b>PS819P</b>
	Remote fill	<b>PS728P</b>	<b>PS828P</b>
	Metal bowl – Sight gauge / Twist drain	<b>PS729P</b>	<b>PS829P</b>
	Sight gauge / Pressure fill	<b>PS720P</b>	<b>PS820P</b>
Drain kit	Twist drain	<b>PS512P</b>	<b>PS512P</b>
Fill cap kit		<b>PS742P</b>	<b>PS742P</b>
Lubricator service kit		<b>PS748P</b>	<b>PS748P</b>
Mounting bracket kit		<b>PS743P</b>	<b>PS843P</b>
Oil –	1 Gal	<b>F442002</b>	<b>F442002</b>
	12 Quart case	<b>F442003</b>	<b>F442003</b>
	4 Gal case	<b>F442005</b>	<b>F442005</b>
Pressure fill adapter kit		<b>PS716P</b>	<b>PS716P</b>
Pressure fill button		<b>P11912</b>	<b>P11912</b>
Remote auto-fill device		<b>PS505CP</b>	<b>PS505CP</b>
Sight dome / Fill cap kit		<b>PS739P</b>	<b>PS739P</b>
Sight dome kit		<b>PS740P</b>	<b>PS740P</b>
Nylon sight dome kit		<b>PS740N</b>	<b>PS740N</b>



Air Preparation Products

Global

Prep-Air II

Miniature

P3N

General Industrial

Stainless Steel

Precision / Proportional

Bulk Liquid Separators



## 06L, 07L Prep-Air II Mist Lubricators

- Proportional oil delivery over a wide range of air flows
- Precision needle valve assures repeatable oil delivery and provides simple adjustment of delivery rate
- Bowl can be filled while air line is under pressure
- Transparent sight dome for 360° visibility
- 06L: 1/4", 3/8" & 1/2" ports (NPT & BSPP)
- 07L: 1/2" & 3/4" ports (NPT & BSPP)



06L



07L

### Material specifications

Body	Zinc
Bowls –	
Transparent	Polycarbonate
Metal	Zinc
Bowl guards	Steel
Collar	Plastic (06, 07) or metal (07)
Drain	Plastic
Injector meter block & base assembly	Plastic
Seals	Nitrile
Sight dome	Polycarbonate
Sight gauge	Polyamide (Nylon)

### Operating information

Pressure rating –  
 Polycarbonate bowl           0 to 150 PSIG (0 to 10.4 bar)  
 Metal bowl                     0 to 250 PSIG (0 to 17.2 bar)



Temperature rating –  
 Polycarbonate bowl           32°F to 125°F (0°C to 52°C)  
 Metal bowl                     32°F to 175°F (0°C to 80°C)

Minimum flow for lubrication:   .5 SCFM at 100 PSIG

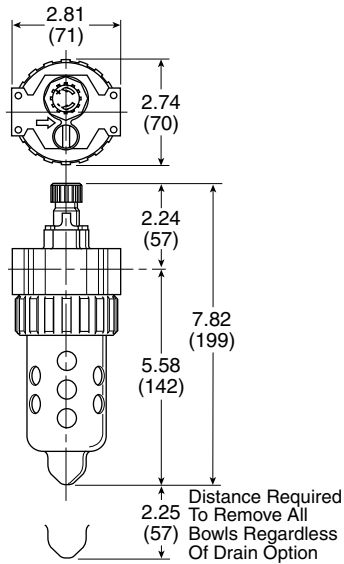
Suggested lubricant:             F442 oil  
 Petroleum based oil of 100 to 200 SSU viscosity at 100°F (38°C)  
 and an aniline point greater than 200°F (93°C)  
 (DO NOT USE OILS WITH ADDITIVES, COMPOUNDED OILS  
 CONTAINING SOLVENTS, GRAPHITE, DETERGENTS, OR  
 SYNTHETIC OILS.)

### Compact & Standard Lubricators

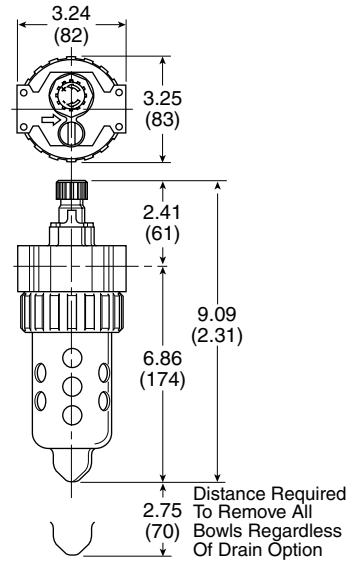


	Port size	Bowl type	Flow SCFM	Part number (NPT)	
				Twist drain	No drain
06L 	1/4"	Poly / Metal guard	40		<b>06L12BE</b>
	1/4"	Metal / Sight gauge	40	<b>06L14BE</b>	
	3/8"	Poly / Metal guard	60		<b>06L22BE</b>
	3/8"	Metal / Sight gauge	60	<b>06L24BE</b>	
	1/2"	Poly / Metal guard	90		<b>06L32BE</b>
07L 	1/2"	Metal / Sight gauge	90	<b>06L34BE</b>	
	1/2"	Poly / Metal guard	90		<b>07L32BE</b>
	3/4"	Poly / Metal guard	90		<b>07L42BE</b>
	3/4"	Metal / Sight gauge	90	<b>07L44BE</b>	

**06L**



**07L**



**Service kits**

Description			06L (Compact)	07L (Standard)
Adjustment knob			<b>P04121</b>	<b>P04121</b>
Bowl guard kit			<b>PS705P</b>	<b>PS805P</b>
Bowl Kits –	Poly bowl –	No drain	<b>PS746P</b>	<b>PS846P</b>
		Twist drain	<b>PS717P</b>	<b>PS817P</b>
		Pressure fill	<b>PS719P</b>	<b>PS819P</b>
		Remote fill	<b>PS728P</b>	<b>PS828P</b>
	Metal bowl –	Sight gauge / Twist drain	<b>PS729P</b>	<b>PS829P</b>
		Sight gauge / Pressure fill	<b>PS720P</b>	<b>PS820P</b>
Drain kit		Twist drain	<b>PS512P</b>	<b>PS512P</b>
Fill cap kit			<b>PS741P</b>	<b>PS741P</b>
Lubricator service kit			<b>PS718P</b>	<b>PS718P</b>
Mounting bracket kit			<b>PS743P</b>	<b>PS843P</b>
Oil –		1 Gal	<b>F442002</b>	<b>F442002</b>
		12 Quart case	<b>F442003</b>	<b>F442003</b>
		4 Gal case	<b>F442005</b>	<b>F442005</b>
Pressure fill adapter kit			<b>PS716P</b>	<b>PS716P</b>
Pressure fill button			<b>P11912</b>	<b>P11912</b>
Remote auto-fill device			<b>PS505CP</b>	<b>PS505CP</b>
Sight dome / fill cap kit			<b>PS738P</b>	<b>PS738P</b>
Sight dome kit			<b>PS740P</b>	<b>PS740P</b>
Nylon sight dome kit			<b>PS740N</b>	<b>PS740N</b>



Air Preparation Products

Global

Prep-Air II

Miniature

P3N

General Industrial

Stainless Steel

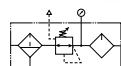
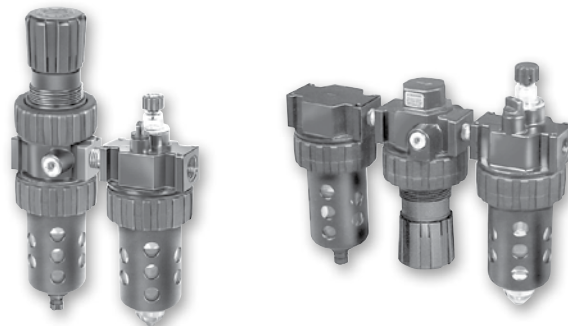
Precision / Proportional

Bulk Liquid Separators

## Compact & Standard Prep-Air II Combinations

### Close Nippled Combinations – 06 Compact & 07 Standard Series

- Regulator can be mounted with knob in up or down position
- 40 micron filter element standard, 5 micron optional
- Manual twist drain
- Relieving regulator



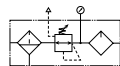
### 06G, 16G, 07G, 17G 2-Unit Close Nippled Combinations

	Port	Bowl type	Element type	Filter drain type	Relief type	Lubricator drain type	Series	Model numbers	Series	Model numbers
06G Shown	1/4"	Poly / Metal guard	40 micron	Twist	Relieving	None	06G	06G12A13A2BC	16G	16G12A13A2BC
	3/8"	Poly / Metal guard	40 micron	Twist	Relieving	None		06G22A13A2BC		16G22A13A2BC
	1/2"	Poly / Metal guard	40 micron	Twist	Relieving	None		06G32A13A2BC		16G32A13A2BC
	1/2"	Poly / Metal guard	40 micron	Twist	Relieving	None	07G	07G32A13A2BD	17G	17G32A13A2BD
	3/4"	Poly / Metal guard	40 micron	Twist	Relieving	None		07G42A13A2BD		17G42A13A2BD



### 06A, 16A, 07A, 17A 3-Unit Close Nippled Combinations

	Port	Bowl type	Element type	Filter drain type	Relief type	Lubricator drain type	Series	Model numbers	Series	Model numbers
06A Shown	1/4"	Poly / Metal guard	40 micron	Twist	Relieving	None	06A	06A12A13A2BC	16A	16A12A13A2BC
	3/8"	Poly / Metal guard	40 micron	Twist	Relieving	None		06A22A13A2BC		16A22A13A2BC
	1/2"	Poly / Metal guard	40 micron	Twist	Relieving	None		06A32A13A2BC		16A32A13A2BC
	1/2"	Poly / Metal guard	40 micron	Twist	Relieving	None	07A	07A32A13A2BD	17A	17A32A13A2BD
	3/4"	Poly / Metal guard	40 micron	Twist	Relieving	None		07A42A13A2BD		17A42A13A2BD



**WARNING**

Product rupture can cause serious injury.  
 Do not connect regulator to bottled gas.  
 Do not exceed maximum primary pressure rating.

**CAUTION: REGULATOR PRESSURE ADJUSTMENT –**

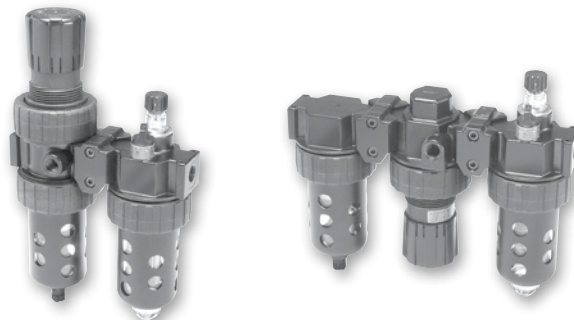
The working range of knob adjustment is designed to permit outlet pressures within their full range. Pressure adjustment beyond this range is also possible because the knob is not a limiting device. This is a common characteristic of most industrial regulators, and limiting devices may be obtained only by special design. For best performance, regulated pressure should always be set by increasing the pressure up to the desired setting.

Most popular.

## Compact & Standard Prep-Air II Combinations

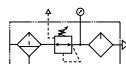
### Modular Combinations – 06 Compact & 07 Standard Series

- Regulator can be mounted with knob in up or down position
- 40 micron filter element standard, 5 micron optional
- Manual twist drain
- Relieving regulator




**CAUTION:**  
**REGULATOR PRESSURE ADJUSTMENT –**

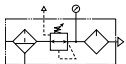
The working range of knob adjustment is designed to permit outlet pressures within their full range. Pressure adjustment beyond this range is also possible because the knob is not a limiting device. This is a common characteristic of most industrial regulators, and limiting devices may be obtained only by special design. For best performance, regulated pressure should always be set by increasing the pressure up to the desired setting.




### 06H, 16H, 07H, 17H 2-Unit Modular Combinations

	Port	Bowl type	Element type	Filter drain type	Relief type	Lubricator drain type	Series	Model numbers	Series	Model numbers
06H Shown 	1/4"	Poly / Metal guard	40 micron	Twist	Relieving	None		<b>06H12A13A2BC</b>		<b>16H12A13A2BC</b>
	3/8"	Poly / Metal guard	40 micron	Twist	Relieving	None	06H	<b>06H22A13A2BC</b>	16H	<b>16H22A13A2BC</b>
	1/2" *	Poly / Metal guard	40 micron	Twist	Relieving	None		<b>06H32A13A2BCG</b>		<b>16H32A13A2BCG</b>
	1/2"	Poly / Metal guard	40 micron	Twist	Relieving	None	07H	<b>07H32A13A2BD</b>	17H	<b>17H32A13A2BD</b>
	3/4"	Poly / Metal guard	40 micron	Twist	Relieving	None		<b>07H42A13A2BD</b>		<b>17H42A13A2BD</b>

\* 06 / 16 Available with port blocks only.



### 06B, 16B, 07B, 17B 3-Unit Modular Combinations

	Port	Bowl type	Element type	Filter drain type	Relief type	Lubricator drain type	Series	Model numbers	Series	Model numbers
06B Shown 	1/4"	Poly / Metal guard	40 micron	Twist	Relieving	None		<b>06B12A13A2BC</b>		<b>16B12A13A2BC</b>
	3/8"	Poly / Metal guard	40 micron	Twist	Relieving	None	06B	<b>06B22A13A2BC</b>	16B	<b>16B22A13A2BC</b>
	1/2" *	Poly / Metal guard	40 micron	Twist	Relieving	None		<b>06B32A13A2BCG</b>		<b>16B32A13A2BCG</b>
	1/2"	Poly / Metal guard	40 micron	Twist	Relieving	None	07B	<b>07B32A13A2BD</b>	17B	<b>17B32A13A2BD</b>
	3/4"	Poly / Metal guard	40 micron	Twist	Relieving	None		<b>07B42A13A2BD</b>		<b>17B42A13A2BD</b>

\* 06 / 16 available with port blocks only.

### Modular service kits

Description	06 Series	07 Series	Description	Series	Size	NPT	BSPP	BSPT
Body connectors	<b>PS754P</b>	<b>PS854P</b>	Port block connector kits	06 Series –	1/4"	<b>PS750P</b>	<b>PS765P†</b>	<b>PS761P</b>
Lockout valves	<b>PS756P</b>	<b>PS856P</b>			3/8"	<b>PS751P</b>	<b>PS766P†</b>	<b>PS762P</b>
Modular manifold block	<b>PS757P</b>	<b>PS857P</b>			1/2"	<b>PS752P*</b>	<b>PS767P**</b>	<b>PS799P*</b>
Wall mounting kit	<b>PS755P</b>	<b>PS755P</b>	07 Series –	07 Series –	1/4"	<b>PS850P</b>	<b>PS865P</b>	<b>PS861P</b>
					3/8"	<b>PS851P</b>	<b>PS866P</b>	<b>PS862P</b>
					1/2"	<b>PS852P</b>	<b>PS867P‡</b>	<b>PS863P</b>
					3/4"	<b>PS853P</b>	<b>PS860P</b>	<b>PS864P</b>

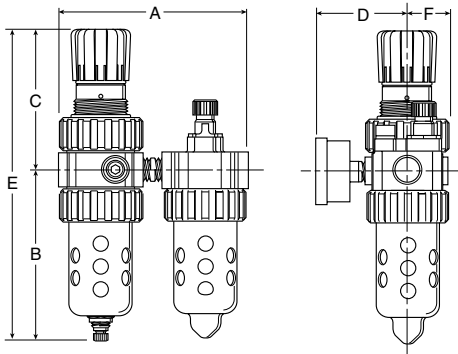
**⚠ WARNING**  
 Product rupture can cause serious injury.  
 Do not connect regulator to bottled gas.  
 Do not exceed maximum primary pressure rating.

Use 1/4 or 3/8 ported bodies. † 1/4, 3/8 & 1/2 inch meet ISO 1179-1 Standard. ‡ 1/2 inch meets ISO 1179-1 Standard.

   Most popular.



**Combination Dimensions – 06 Compact & 07 Standard Series**



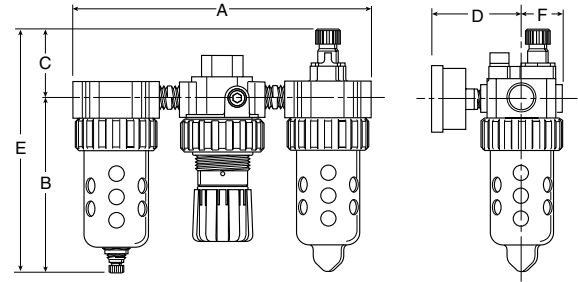
**06G, 16G Series**

A	B	C	D	E	F
6.13 (156)	5.69 (145)	4.69 (119)	3.18 (81)	10.38 (264)	1.37 (35)

**07G, 17G Series**

A	B	C	D	E	F
6.99 (178)	6.97 (177)	4.79 (122)	3.44 (87)	11.76 (299)	1.63 (41)

Inches (mm)  
 • All dimensions nominal.



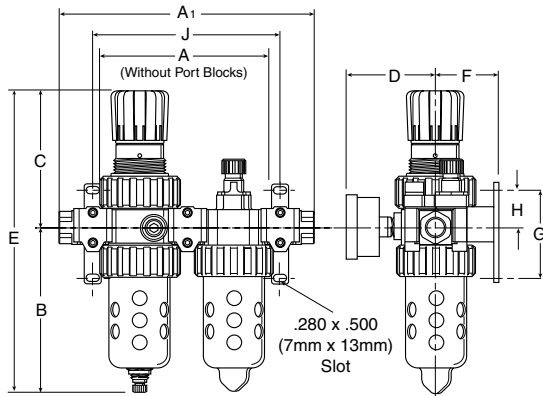
**06A, 16A Series**

A	B	C	D	E	F
9.45 (240)	5.69 (145)	2.24 (57)	3.18 (81)	7.93 (201)	1.37 (35)

**07A, 17A Series**

A	B	C	D	E	F
10.74 (2738)	6.97 (177)	2.41 (61)	3.44 (87)	9.38 (238)	1.63 (41)

Inches (mm)  
 • All dimensions nominal.



**06H, 16H Series**

A	A1	B	C	D	E
6.10 (155)	9.04 (230)	5.69 (145)	4.69 (119)	3.18 (81)	10.38 (264)

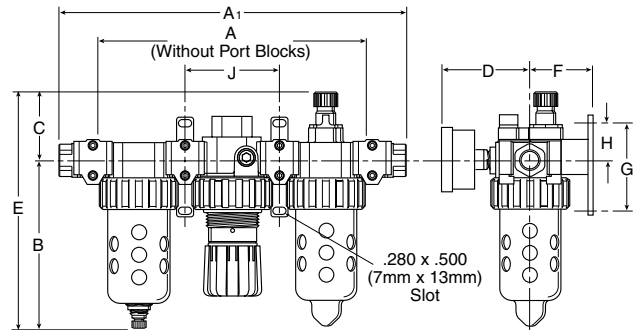
F	G	H	J
2.00 (51)	3.58 (91)	1.40 (36)	6.65 (169)

**07H, 17H Series**

A	A1	B	C	D	E
7.00 (178)	10.28 (261)	6.97 (177)	4.79 (122)	3.44 (87)	11.76 (299)

F	G	H	J
2.09 (53)	3.58 (91)	1.40 (36)	7.51 (191)

Inches (mm)  
 • All dimensions nominal.



**06B, 16B Series**

A	A1	B	C	D	E
9.46 (240)	12.39 (315)	5.69 (145)	2.24 (57)	3.18 (81)	7.93 (202)

F	G	H	J
2.00 (51)	3.58 (91)	1.40 (36)	3.33 (85)

**07B, 17B Series**

A	A1	B	C	D	E
10.75 (273)	14.03 (356)	6.97 (177)	2.41 (61)	3.44 (87)	9.38 (238)

F	G	H	J
2.18 (55)	3.58 (91)	1.40 (36)	3.76 (95)

Inches (mm)  
 • All dimensions nominal.

